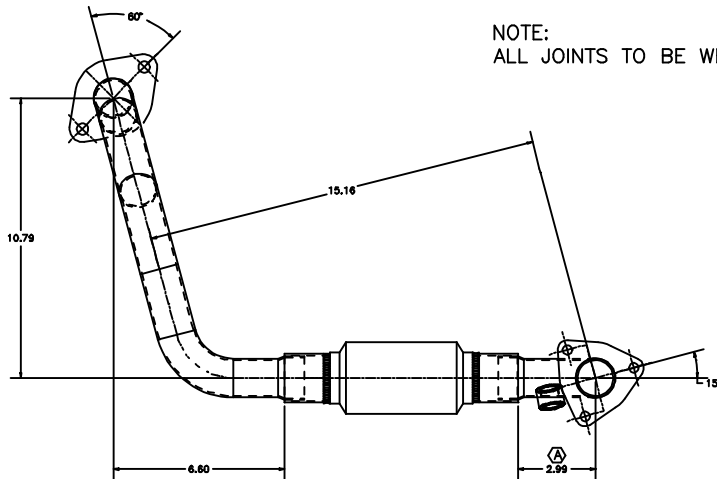
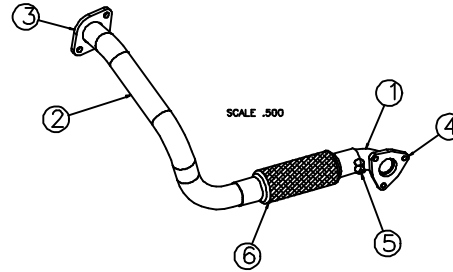
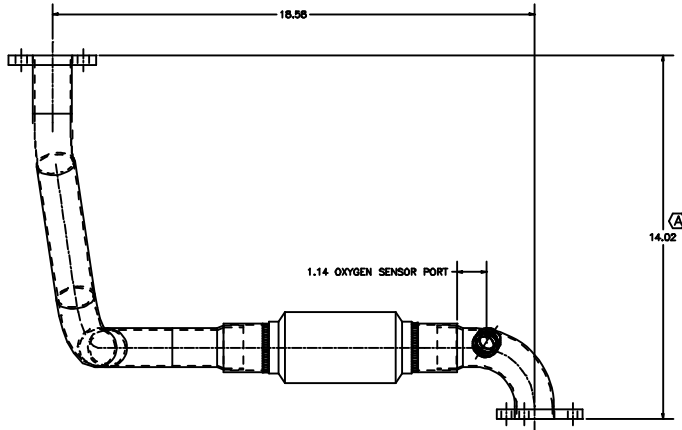
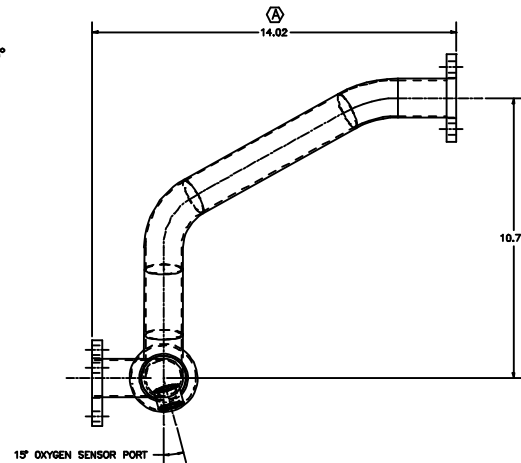


REV	ECN #	DATE	DESCRIPTION OF CHANGE-IS (WAS)	BY:
Ⓢ	8517	02/25/04	RELEASED FOR PRODUCTION	PH
Ⓐ	X	03/05/04	MODIFIED ITEMS 1, 2 & 6	PH
Ⓑ	8566	03/05/04	MODIFIED ITEMS 2; CHG ITEM 6	PH

BILL OF MATERIAL				
ITEM	PART #	DESCRIPTION	QTY	
Ⓐ	①	333619 TUBE-WD ELBO TSS82-CG13	1	
Ⓐ	②	333620 TUBE-WD EXHAUST TSS82-CG13	1	
	③	333621 FLANGE-WD EXH CATALYST TSS82CG13	1	
	④	333622 FLANGE-WD EXH MANIF TSS82-CG13	1	
	⑤	333623 PORT-WD OXYGEN SENSOR	1	
Ⓐ	Ⓑ	⑥ 333692 EXH-WD FLEX COUPLER 1.75 X 6.0	1	



NOTE:
ALL JOINTS TO BE WELDED AIR TIGHT 360°



333601B

<p>CONFIDENTIAL</p> <p>THIS DRAWING AND ALL INFORMATION CONTAINED HEREIN ARE THE EXCLUSIVE PROPERTY OF MOUNTAIN INTERNATIONAL, INC. THIS DRAWING IS NOT TO BE COPIED OR OTHERWISE REPRODUCED WITHOUT EXPRESSED WRITTEN PERMISSION OF MOUNTAIN INTERNATIONAL, INC. IN ADDITION, THIS DRAWING MUST BE RETURNED UPON REQUEST. FURTHER, ALL INFORMATION CONTAINED HEREIN MUST BE MAINTAINED CONFIDENTIAL.</p>	SOURCE: HYDRO-TUBE		175 Anderson Street Aberdeen, NC 28315 PHONE (910) 944-2105 FAX (910) 944-7409		
	PN: SEE BOM		CAD BY: HENDRICKS	DATE: 02/25/04	
	FINISH: PAINT HIGH TEMP BLACK	UNSPECIFIED TOLERANCES:	DESCRIPTION TSS82-CG13 WELD-EXHAUST TUBE		
	XX 1	ANGULAR: X .1" X .5"			
	DES. ENG: HENDRICKS	ENG. REL: 8517 02/25/04	PART NO. 333601	REV LEV B	SHT NO. 1 of 1

X

②